



Villeroy & Boch

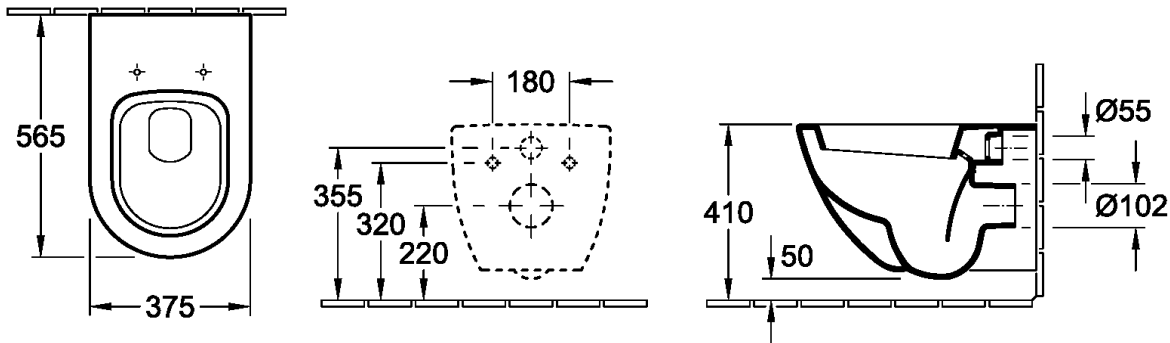
1748

Subway Wall-Hung Pan







Suitable for use with 3 & 4 Star flushing Systems

TECHNICAL SPECIFICATIONS



For use with concealed cistern
(Ask about Grohe In-Wall flushing systems & Frames
or mounting frame code 9954)

- PRODUCT NO: **66001001CB**, Subway Wall Hung Pan
- PRODUCT NO: **660010R1CB**, Subway Wall Hung Pan with 
- PRODUCT NO: **66001001SCCB**, Subway Wall Hung Pan with 
- PRODUCT NO: **660010R1SCCB**, Subway Wall Hung Pan with  & 

(Includes Toilet Seat)