

caroma®

CI/SfB	(74.4)	g3
Date	July 2008	

Supersedes all previous issues

Metro 35

Vitreous China
Utility Basin

Nominal Size: 670mm x 550mm

2.15.1



Metro 35

35 litre Vitreous China Utility Basin

Size 670mm x 550mm Nominal



A quality 35 litre vitreous china utility basin featuring smooth rounded contours for ease of cleaning. Ideal for quality installations. Left or right hand and a remote concealed washing machine by-pass fitting options are available. Overflow available only. The basin has been designed with a rim which is sealed to the counter top with an acetic cured silicone sealant.

Tap Holes: One tap hole adaptor available for single lever mixer, for either right or left hand position dependent on by-pass position. The basin is available in two taphole Code No.675120, no taphole Code No.675100. One taphole left hand Code No.675150 and one taphole right hand Code No.675140.

Waste Outlet: Waste outlet is suitable for 50mm diameter standard waste assemblies.

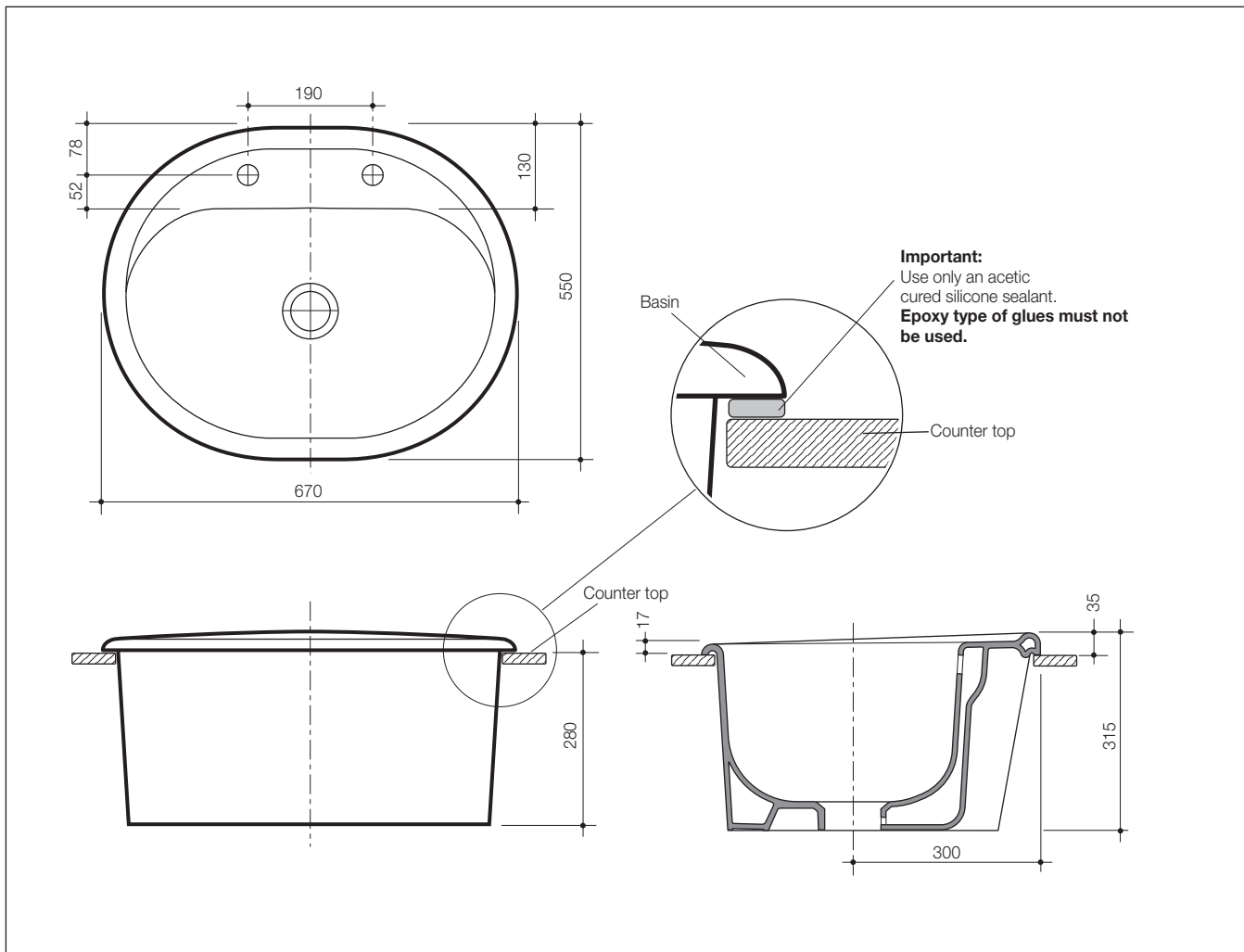
Bowl Capacity: 34 litres to overflow.

Overflow: Overflow available only. Designed for maximum tap flow rate of 15 litres/minute.

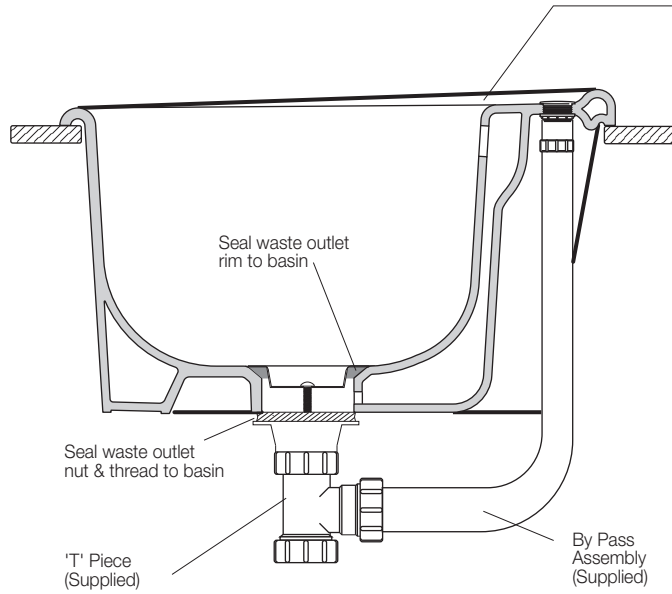
Fixings: The underside of the laundry basin rim must be sealed to the counter top with an acetic cured silicone sealant. **Epoxy type glues must not be used.** The basin is supplied with a template which must be used for the counter top cut-out.

Colours: White only.

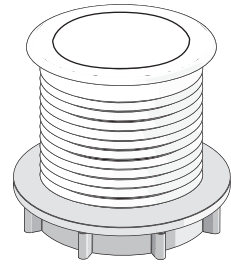
Dimensions: All dimensions are in millimetres and are subject to normal manufacturing variations. Caroma pursues a policy of continuing improvement in design and performance of its products. The right is therefore reserved to vary specifications without notice.



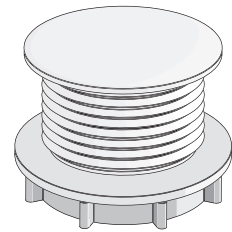
**Washing Machine By Pass Basin
Installation Option
Two Hole Basin Version Only**



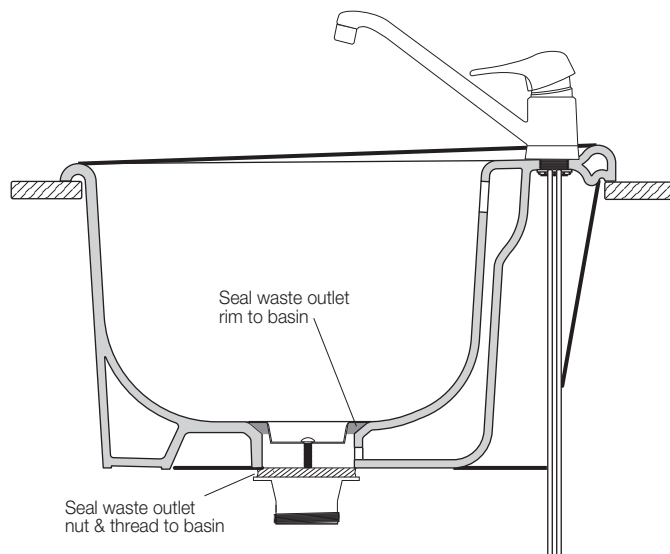
**Washing Machine
Hose Adaptor
(Supplied)**



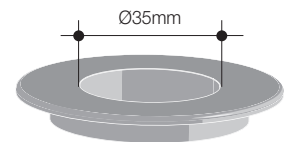
**Blanking Cap
(Supplied)**



**Single Lever Mixer Option
Two Hole Basin Version Only**



**Mixer Adaptor
Bush (Supplied)**



Remote Washing Machine By Pass Option

